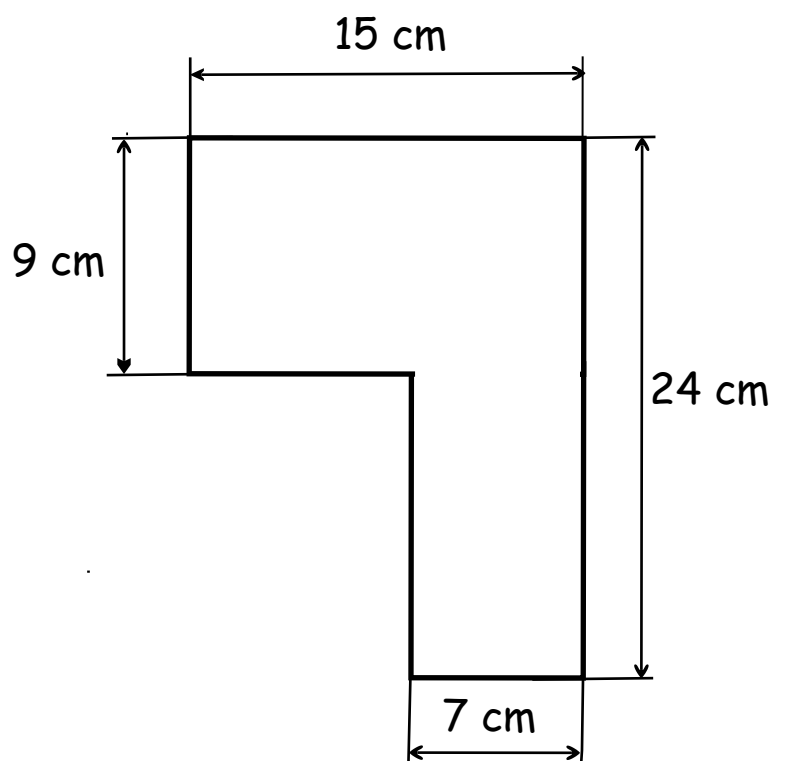
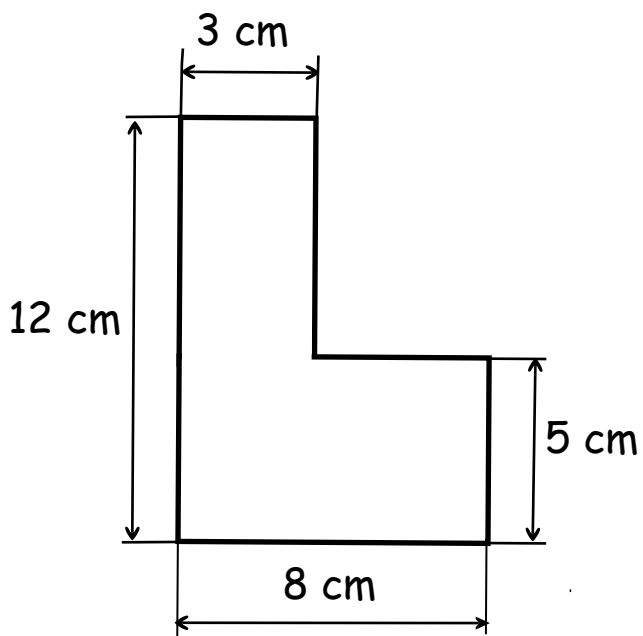
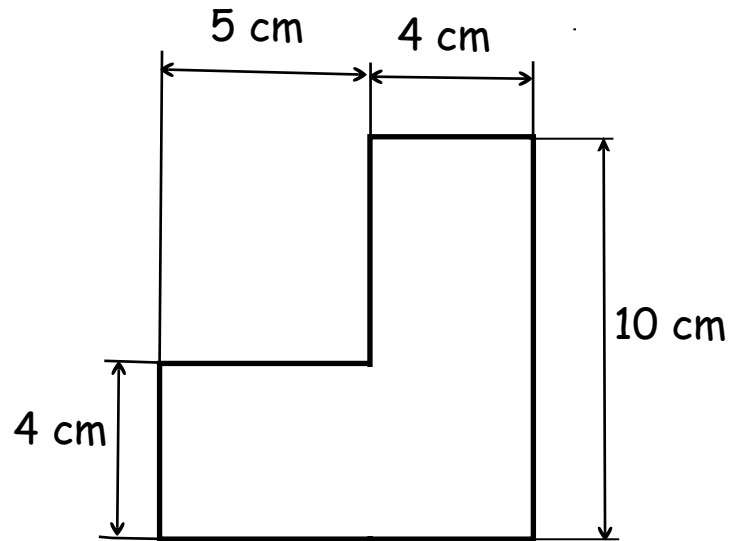


# Area of Composite Shapes - Review



Calculate the areas of these composite



## Area of Composite Shapes - Review



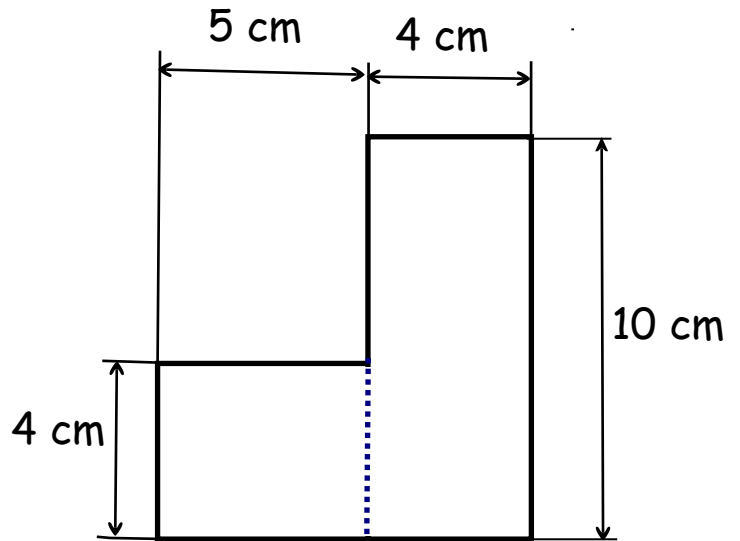
Calculate the areas of these composite

Split the shape into two rectangles. Find the area of these and then add

$$A = 5 \times 4 + 4 \times 10$$

$$A = 20 + 40$$

$$A = 60 \text{ cm}^2$$

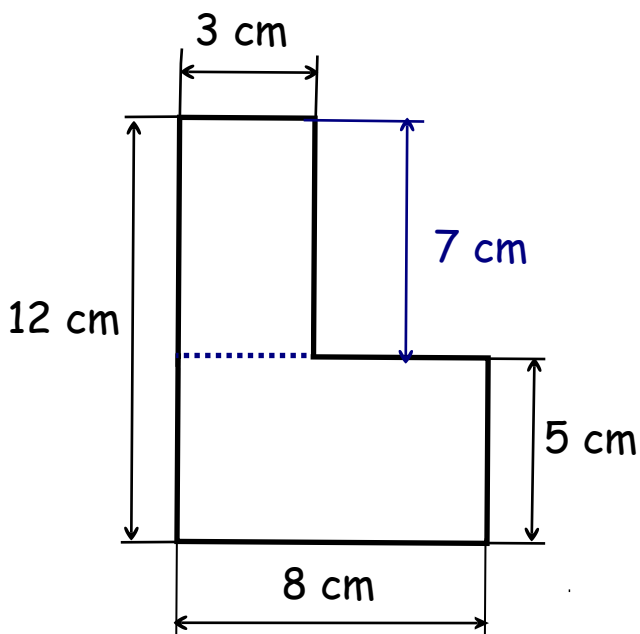


Spilt the shape into two rectangles and find the missing height  $12 - 5 = 7$

$$A = 8 \times 5 + 3 \times 7$$

$$A = 40 + 21$$

$$A = 61 \text{ cm}^2$$



Spilt the shape into two rectangles and find the missing base  $15 - 7 = 8$

$$A = 7 \times 24 + 8 \times 9$$

$$A = 168 + 72$$

$$A = 240 \text{ cm}^2$$

